

# AX-12 Smart Robotic Arm 5-Axis Upgrade



## 5-Axis Upgrade Features

The 5-Axis upgrade adds additional versatility to the AX-12 Smart Robotic Arm by:

- Increasing the length of the AX-12 Smart Robotic Arm by 2-5/8”.
- Allows for 112 degrees of additional wrist motion from any direction in 3D space along with the standard 320 degree wrist rotate, and up/down motion for true 3-dimensional movement of the end effector or gripper.
- Being compatible with all AX-12 Grippers.

## Kit Contents

- (1) AX-12 servo
- (1) AX-12 Side Bracket
- (1) AX-12 Short Bracket
- (4) #4 screws

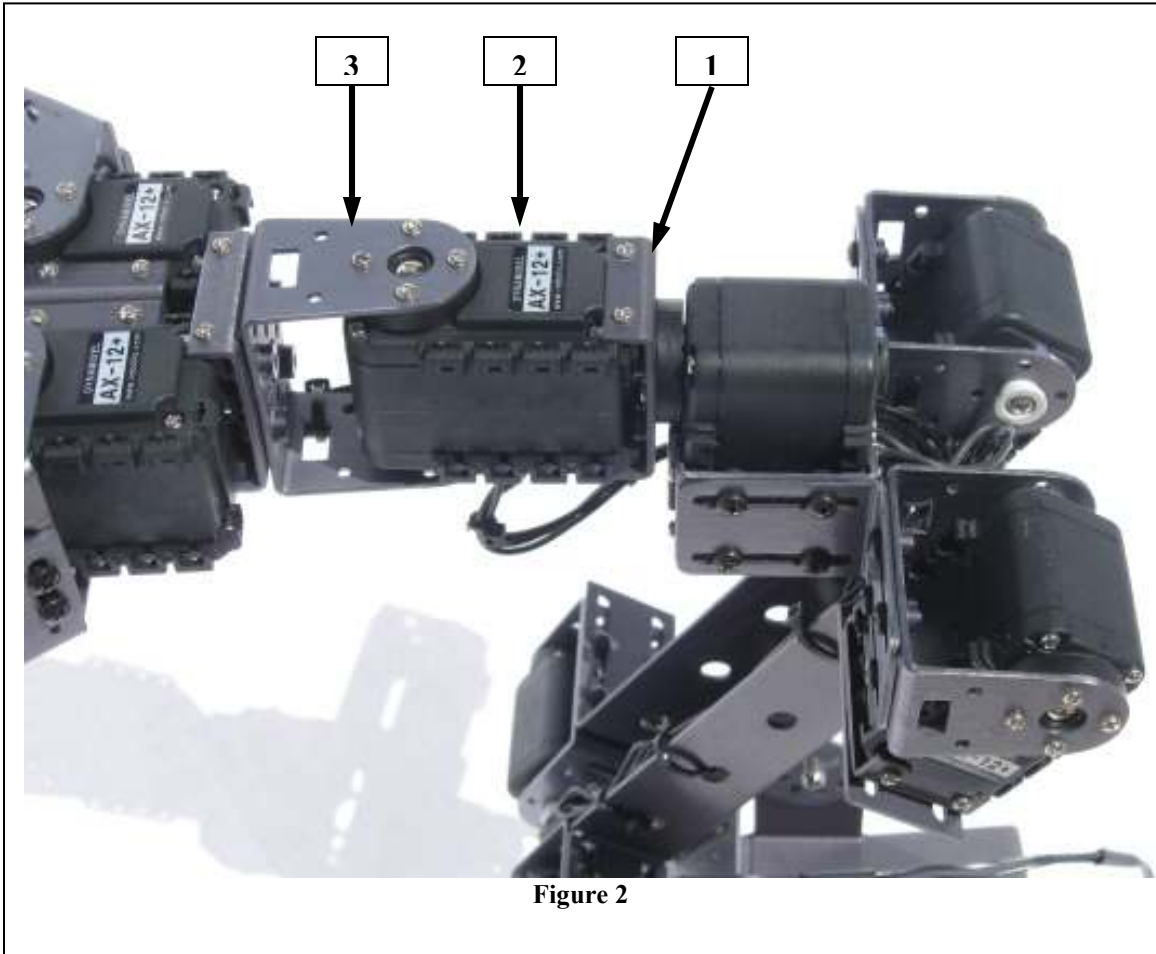
## Assembly

1. Remove the gripper from the AX-12 Robotic arm down to the wrist rotate servo as shown in figure #1.



Figure 1

2. Install the AX-12 bracket, AX-12 servo and the AX-12 Short bracket in the order shown in figure #2.



3. Re-install the gripper assembly removed in step #1
4. Set the ID of the new AX-12 to a new address (in our example we used address #7 and reprogrammed the dual gripper servos to 8 and 9).
5. Re-install the AX-12 cables.

## Additional 3-Dimensional Functionality

